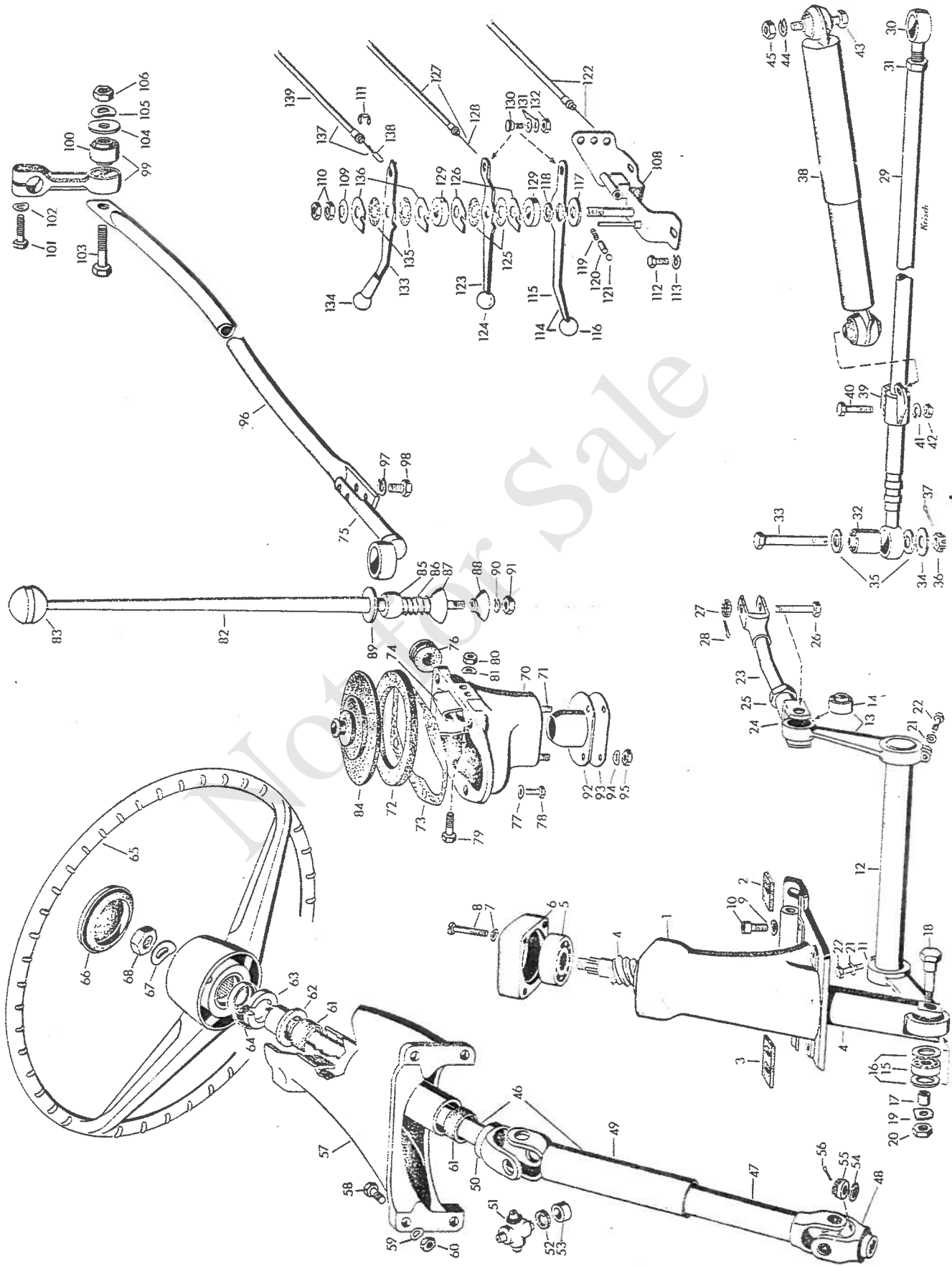


20 = Front Axle and Steering Assembly /
Steering and Gear Change Mechanism

BMW 600



Part No.	Key No.	Description	Qty.
Steering assembly			
Steering gear			
20 70 059	1	steering gear housing	1
20 71 550	2	sealing base for clutch pedal	1
20 71 553	3	sealing base for brake and accelerator pedal	1
20 71 556	4	steering nut with shaft	1
99 83 256	5	bearing 2303	1
20 70 521	6	cover for steering gear housing	1
For cover to steering gear housing			
99 32 071	7	spring washer B 6	4
99 19 495	8	cylinder stud M 6X36—5 S pho.black.	4
For steering gear to frame			
99 32 091	9	spring washer B 8	4
99 19 977	10	cylinder stud M 8X25—8 G pho.black.	4
Steering arm and steering shaft			
20 81 550	11	steering drop arm	1
20 81 553	12	steering shaft	1
20 81 556	13	steering arm with silent bloc	1
20 27 506	14	silent bloc	1
For steering drop arm to steering nut			
99 83 010	15	bearing 1200	1
20 80 514	16	washer	2
20 80 518	17	bushing	1
20 80 523	18	hex. screw	1
20 80 526	19	lock plate	1
20 80 530	20	hex. nut	1

20 = Front Axle and Steering Assembly

20 = Front Axle and Steering Assembly / Steering Assy. Plate 5

Part No.	Key No.	Description	Qty.
99 12 455	40	For clamping piece to tie rod	
99 33 087	41	hex. screw M 8×30—8 G pho.black.	2
99 22 082	42	spring washer A 8	2
		hex. nut M 8—6 S pho.black.	2
99 12 630	43	For steering damper to clamping piece and to frame	
99 33 101	44	hex. screw M 10×40—8 G pho.black.	2
99 22 111	45	spring washer A 10	2
		hex. nut M 10—6 S pho.black.	2
20 83 050	46	Steering column with steering wheel	1
		steering column with double universal joints, complete	1
20 79 500	47	Lower universal joint	1
20 79 503	48	yoke with splined hubs	1
		lower yoke	1
20 79 515	49	Upper universal joint	1
20 79 518	50	yoke with splined shaft	1
		serrated yoke	1
20 79 506	51	For upper and lower universal joint	
20 79 509	52	joint cross	2
20 79 512	53	sealing ring	8
		bushing	8
99 31 075	54	For steering column with lower universal joint	
20 83 503	55	to steering gear	1
99 45 110	56	washer 10,5 pho.black.	1
		nut	1
		split pin 2×20 st.	1

20 = Front Axle and Steering Assembly / Steering Assy. Plate 5

Part No.	Key No.	Description	Qty.
99 32 080	21	For steering arm to steering shaft, left, and for steering drop arm to steering shaft, right	
99 12 466	22	spring washer A 8	2
		hex. screw M 8×32—8 G pho.black.	2
20 77 053	23	Steering push rod	1
20 77 503	24	steering push rod	1
20 76 514	25	clevis (movable)	1
		lock nut	1
20 77 506	26	For steering push rod to steering arm and steering knuckle, left	
99 23 431	27	hex. screw	2
99 45 115	28	castellated nut M 10—6 S pho.black.	2
		split pin 2×22 st.	2
20 77 050	29	Tie rod	1
20 76 511	30	tie rod	1
20 76 515	31	ball joint	1
20 27 506	32	lock nut	2
		silent bloc	2
20 77 500	33	For tie rod to steering knuckle, left and right	
20 76 525	34	hex. nut	2
99 31 075	35	washer	2
99 23 431	36	washer 10,5 pho.black.	4
99 45 115	37	castellated nut M 10—6 S pho.black.	2
		split pin 2×22 st.	2
20 16 050	38	Steering damper	1
20 16 562	39	steering damper	1
		clamping piece	1

20 = Front Axle and Steering Assembly / Steering Assy. / Gear Changing Mechanism

20 = Front Axle and Steering Assembly / Steering Assy. / Gear Changing Mechanism

Part No.	Key No.	Description	Qty.
99 32 091	77	For gear changing lever support to bracket	4
99 13 643	78	spring washer	4
		hex. screw M 8×20—8 G pho.black.	
99 13 471	79	For stop to support	2
99 22 054	80	hex. screw M 6×18—8 G pho.black.	2
99 32 071	81	hex. nut M 6—6 S pho.black.	2
		spring washer B 6	
20 87 518	82	Gear changing lever	1
20 87 521	83	gear changing lever	1
20 87 524	84	knob for gear changing lever	1
		rubber boot for lever at floorboard	
20 87 527	85	Gear lever mounting	1
20 87 530	86	ball head	1
20 87 533	87	pressure spring	1
20 87 536	88	cover	1
20 87 553	89	ball cup	1
		washer for ball head	
99 33 094	90	For mounting parts to gear lever	1
99 22 082	91	spring washer B 8	1
		hex. nut M 8—6 S pho.black.	
20 87 539	92	Ball cup and cover plate at lever support	1
20 87 542	93	ball cup	1
99 32 071	94	cover plate	3
99 22 054	95	spring washer B 6	3
		hex. nut M 6—6 S pho.black.	

Part No.	Key No.	Description	Qty.
99 33 087	—	For steering column covering to door — instrument panel	4
99 13 643	—	Up to chassis No.	4
		spring washer A 8	
		hex. screw M 8×20—8 G pho.black.	
20 83 506	57	From chassis No.	1
99 13 643	58	covering	4
99 32 091	59	hex. screw M 8×20—8 G pho.black.	4
99 22 082	60	spring washer B 8	4
		hex. nut M 8—6 S pho.black.	
20 32 538	61	For steering column to covering	2
20 83 512	62	upper and lower bearing ring	1
20 83 515	63	spacer	1
20 83 518	64	ring (2 parts)	1
00 16 200	—	cam	1
		washer	
20 83 062	65	For steering wheel to column	1
20 83 064	66	steering wheel without cap	1
99 32 160	67	cap for steering wheel	1
99 21 636	68	spring washer B 16	1
		hex. nut M 16×1,5—6 S pho.black.	
20 87 500	70	Gear changing mechanism	1
99 03 177	71	support for gear changing lever with studs	3
20 87 503	72	stud M 6×12—5 S pho.black.	1
20 87 506	73	seal between supporting bracket and floorboard	1
20 87 509	74	gasket between lever support and bracket	1
20 87 512	75	stop for reverse gear	1
20 87 515	76	swivel piece	1
		supporting ring for swivel piece	

0 = Front Axle Steering Assembly / Gear Changing Mechanism / Plate 5
Choke, Heater and Fuel Tap Controls

Part No.	Key No.	Description	Qty.
		For gear changing rod to swivel piece	
0 87 545	96	gear changing rod	1
9 33 094	97	spring washer B 8	2
9 13 628	98	hex. screw M 8×15—8 G pho.black.	2
		Gear lever at gear box	
0 87 547	99	gear lever with silent bloc	1
0 87 550	100	silent bloc	1
		For gear lever to gear box	
9 12 440	101	hex. screw M 8×25—8 G pho.black.	1
9 32 091	102	spring washer B 8	1
		For gear lever to gear changing rod	
9 12 625	103	hex. screw M 10×35—8 G pho.black.	1
9 34 170	104	washer	1
9 32 110	105	spring washer B 10	1
9 22 111	106	hex. nut M 10—6 S pho.black.	1
		Support with choke, heater and fuel tap levers	
9 91 500	108	support	1
9 88 524	109	spring	1
9 21 606	110	hex. nut M 8×1—6 S pho.black.	2
9 32 840	111	lock washer 6 for bowden cables	3
		For support to wheel housing	
9 13 227	112	hex. screw M 5×12—8 G pho.black.	2
9 38 058	113	spring washer B 5	2
		Fuel tap control	
9 91 506	114	lever with knob	1
9 91 522	115	lever	1

0 = Front Axle and Steering Assembly / Choke, Heater and Fuel Tap Controls Plate 5

Part No.	Key No.	Description	Qty.
20 91 509	116	knob (brown)	1
20 91 510	116	knob (grey)	1
70 60 578	117	washer	1
20 91 503	118	spacer	1
85 85 159	119	pressure spring	1
99 42 384	120	cylinder pin 6 h 11×12	1
99 86 272	121	ball 6,5 Ø IV	1
40 85 506	122	bowden cable with rubber grommet and sleeve, complete (components are listed on plate 6)	1
		Heater control	
20 91 516	123	lever	1
20 91 512	124	knob (blue) for lever	1
20 91 510	124	knob (grey) for lever	1
20 88 528	125	friction washer	2
20 88 532	126	lock plate	2
40 91 550	127	bowden cable complete	1
40 91 551	128	wire rope 1 Ø×2320	1
55 55 139	—	rubber grommet for floorboard below seat	1
		For fuel tap and heater controls	
20 88 536	129	spacer	2
45 74 202	130	lock screw	2
99 31 034	131	washer 5,3 pho.black.	4
99 22 036	132	hex. nut M 5—6 S pho.black.	2
		Choke control	
20 91 521	133	lever	1
20 91 510	134	knob (grey) for lever	1
20 88 528	135	friction washer	2
20 88 532	136	lock plate	2
20 89 500	137	bowden cable for choke, complete	1
20 89 502	138	wire rope 1 Ø×2400	1
99 88 270	139	wire rope cover D 2,5×2400	1
99 88 320	—	sleeve C 2,5	1
20 88 552	—	rubber grommet	1